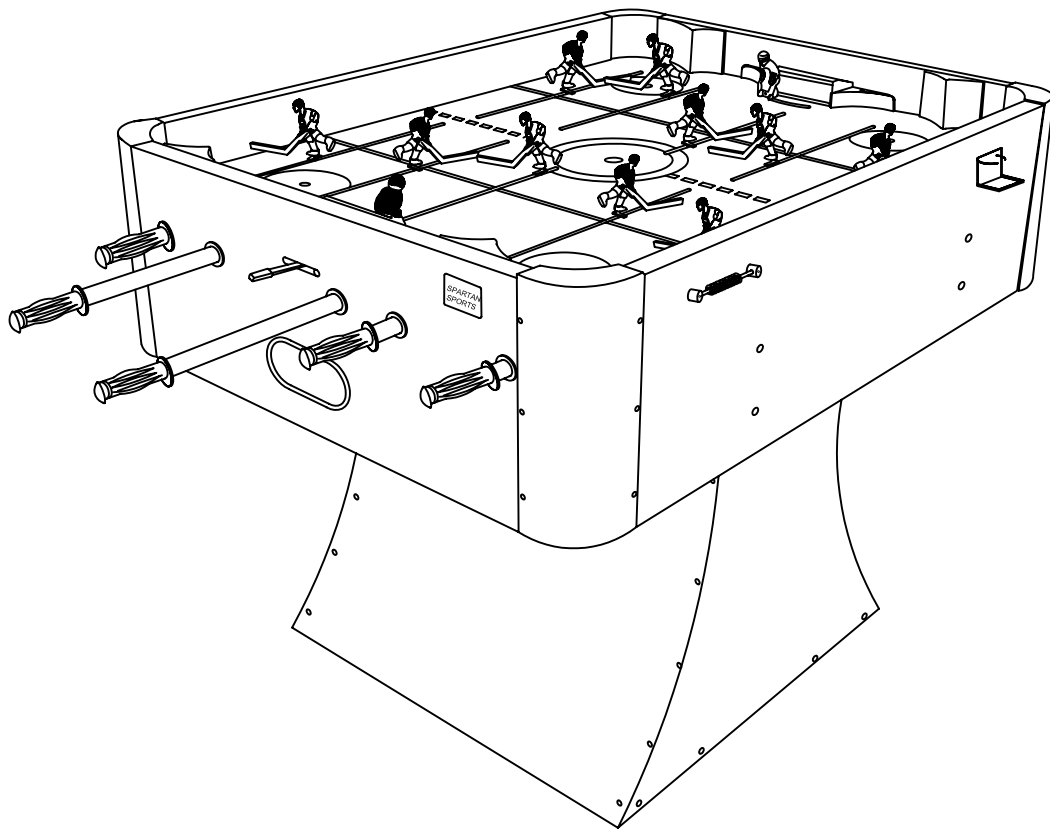


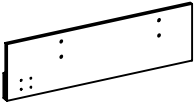
Owner's Manual

FULL KD Rod Hockey Table



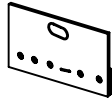
Parts List A

A



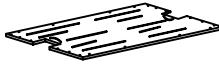
Long-side panels
2 pcs

B



Short-side panels
2 pcs

C



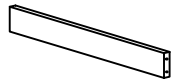
Playing-field-1
1 pc

D



Playing-field-2
1 pc

E



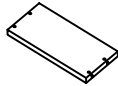
Cross Support
2 pcs

F



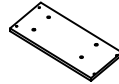
Leg Boards-1
2 pcs

G



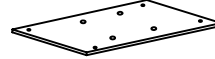
Leg Boards-2
2 pcs

H



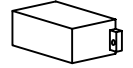
Leg Boards-3
1 pc

I



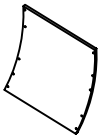
Leg Boards-4
1 pc

J



Ball Collectors
2 pcs

K



Leg Boards-5
2 pcs

L

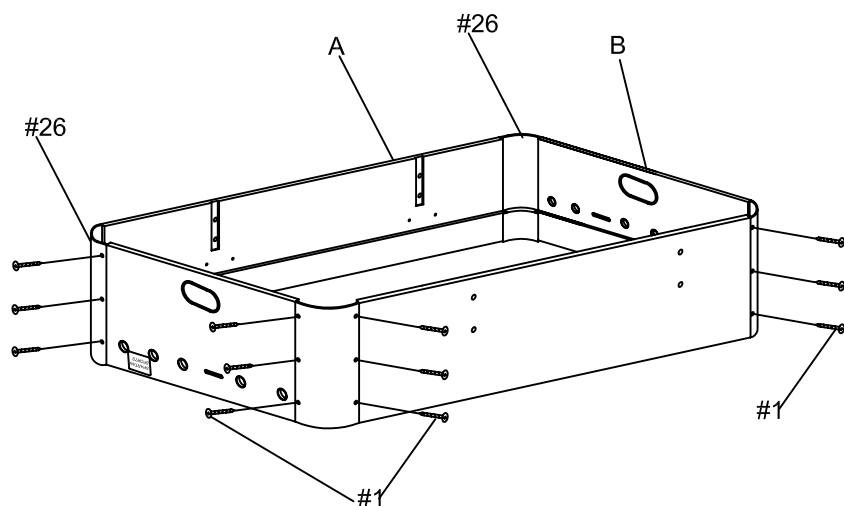


Wood block
4 pcs

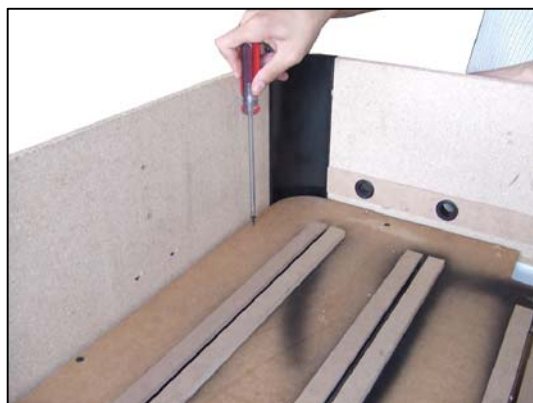
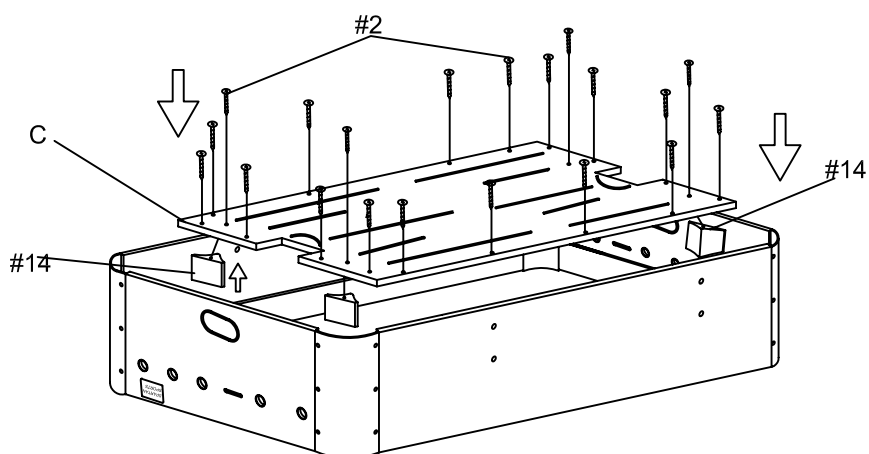
Warning: For your convenience and safety, assemble the game table with the help of another person. Please assemble game table on clean paper to avoid scratching. It takes about 90 minutes to complete this game table.

Tools needed: One phillips head screw driver of appropriate size.

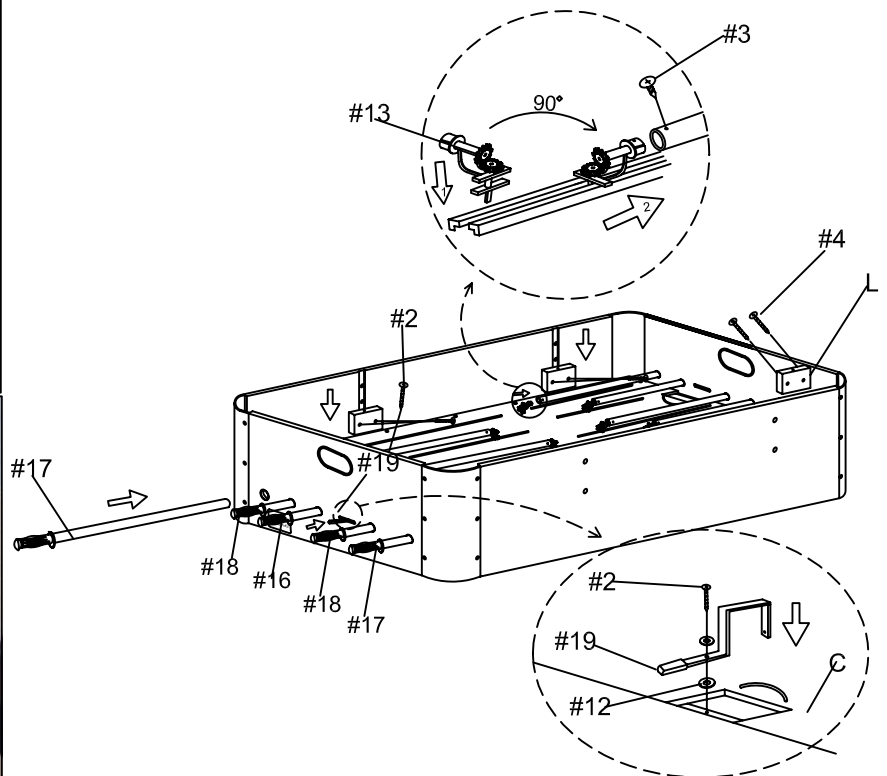
Step 1 Follow the pictures. Assemble (A) the long-side panels (B) the short-side panels and (#26) the canbered aprons together by using (#1) the screws.



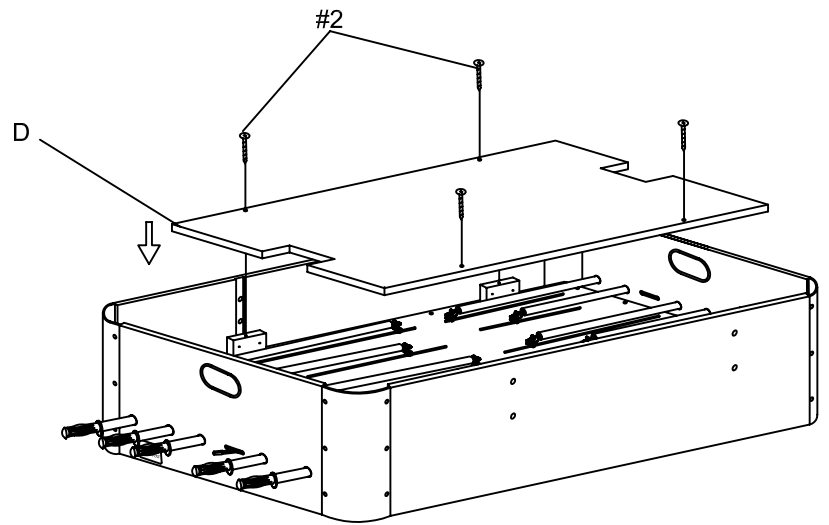
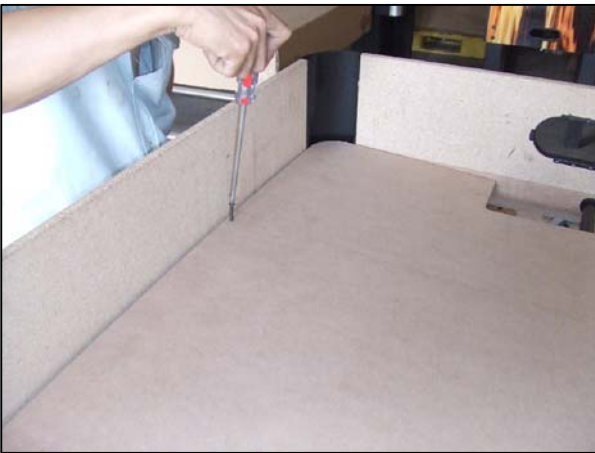
Step 2 Fix (#14) the Triangles to (C) the playing field-1 by using (#2) the screws. Place (C) the playing field-1 to the table case, and nail it up by using (#2) the screws.



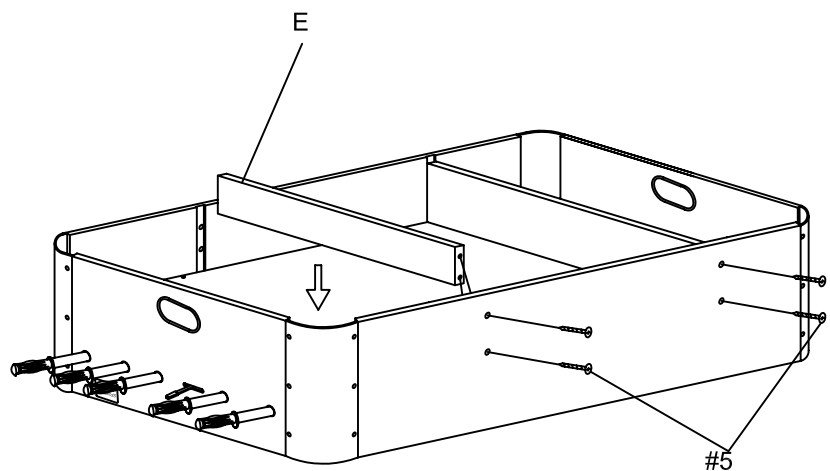
Step 3 Fix (L) the wood blocks into the table case by using (#4) the screws. Thread the rods in the sequence of (#17) 、(#18) 、(#16) 、(#18) 、(#17) to the short-side panels. Insert (#13) the gears into the ditches of (C) the playing-field-1, turn it to 90 degree. Assemble (#13) the gears in one side of the rods by using (#3) the screws. Insert (#19) the goalkeeper control Bar into the slots of (B) the short-side panels and then fix it by using (#2) the screws and (#12) the washers. Don't tighten up goalkeeper control bars.



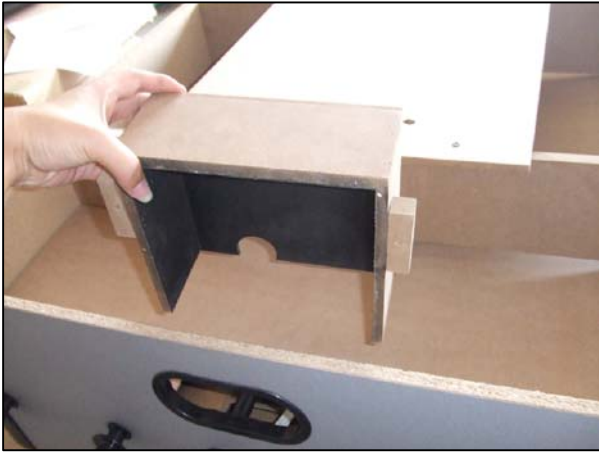
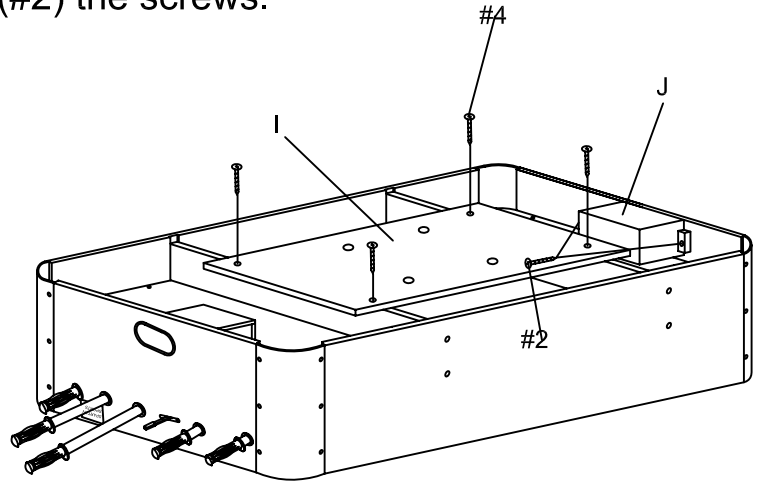
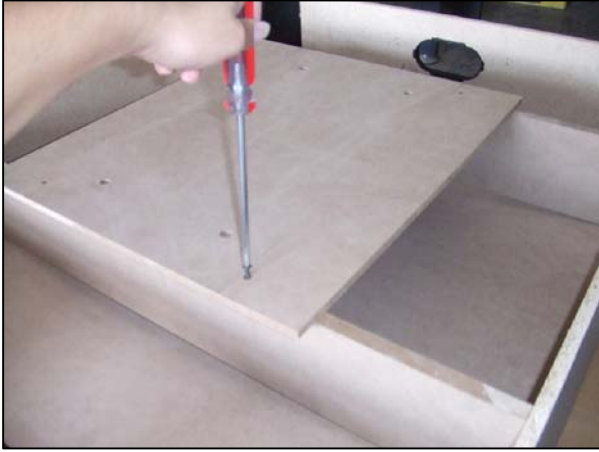
Step 4 Place (D) the playing-field-2 to the table case, and nail it up by using (#2) the screws.



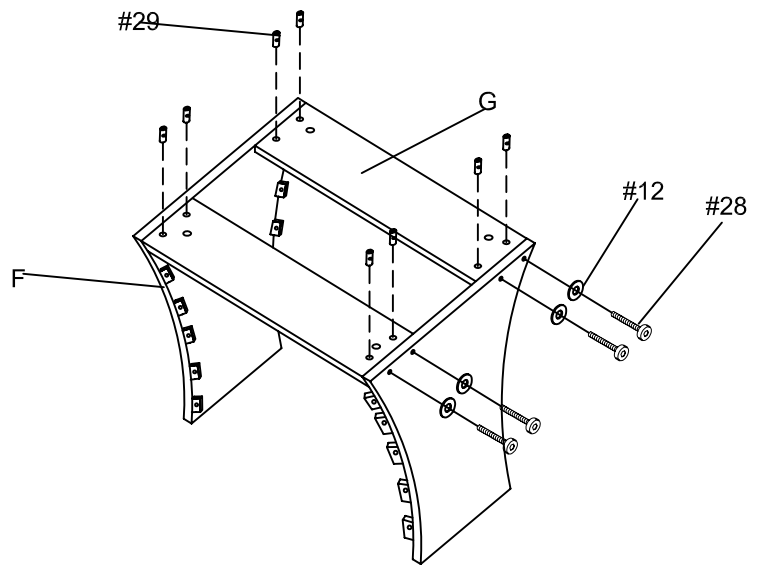
Step 5 Follow the picture. Assemble (E) the cross supports at two side of (A) long-side panels by using (#5) the screws.



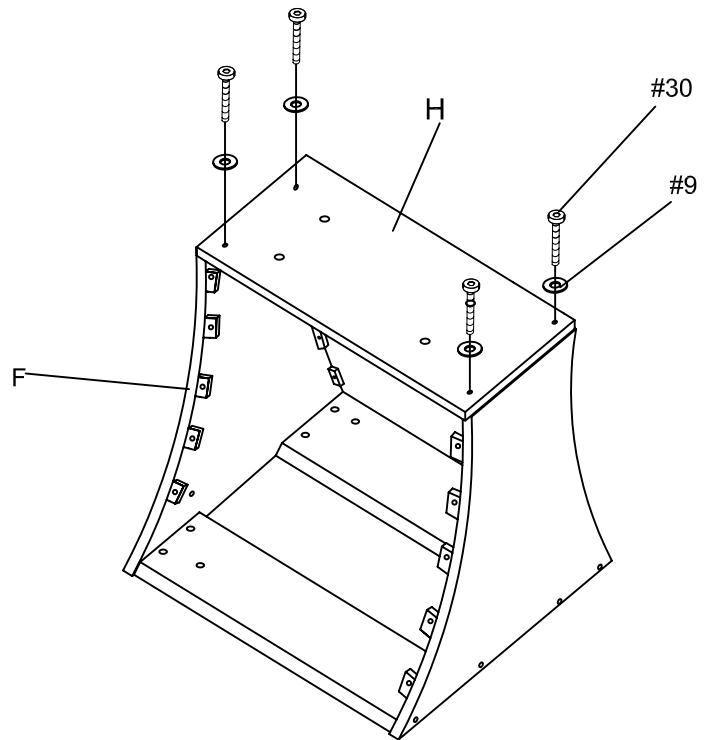
Step 6 Put (I) the leg-boards-4 in the table case, and nail it by using (#4) the screws. (J) the ball collectors are to be assembled at the bottom of the short-side panels by using (#2) the screws.



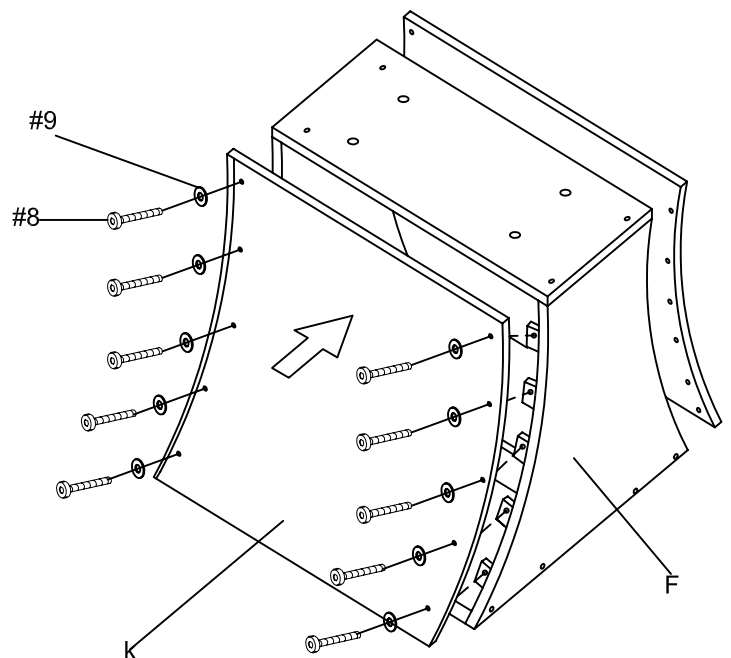
Step 7 Follow the picture, put (#29) Barrel nuts into the (G) the leg boards-2. Assemble (F) the leg boards-1 and (G) leg boards-2 by using (#8) the bolts and (#12) the washers.



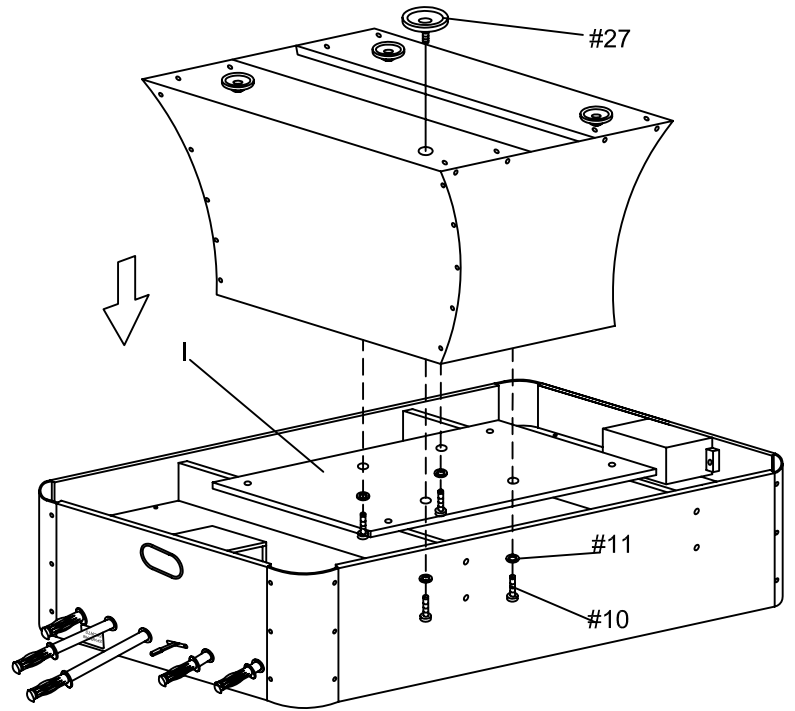
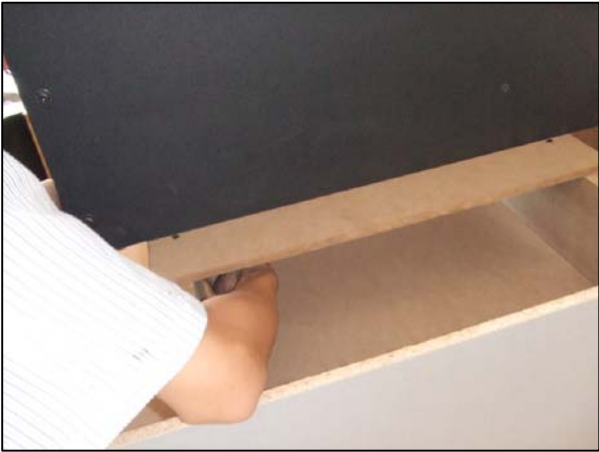
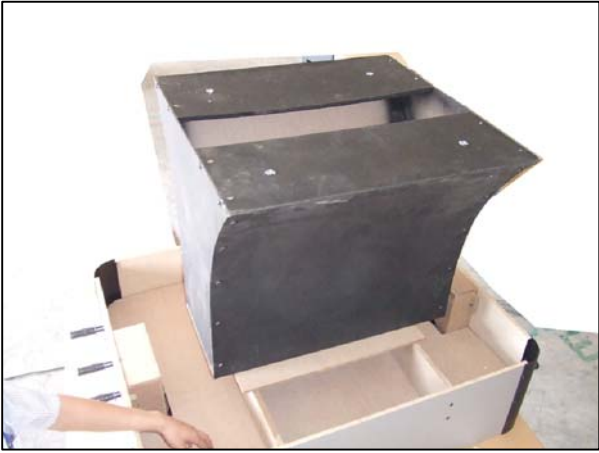
Step 8 Assemble (H) the leg boards-3、(F) leg boards-1 by using (#30) the bolts and (#9) the washers.



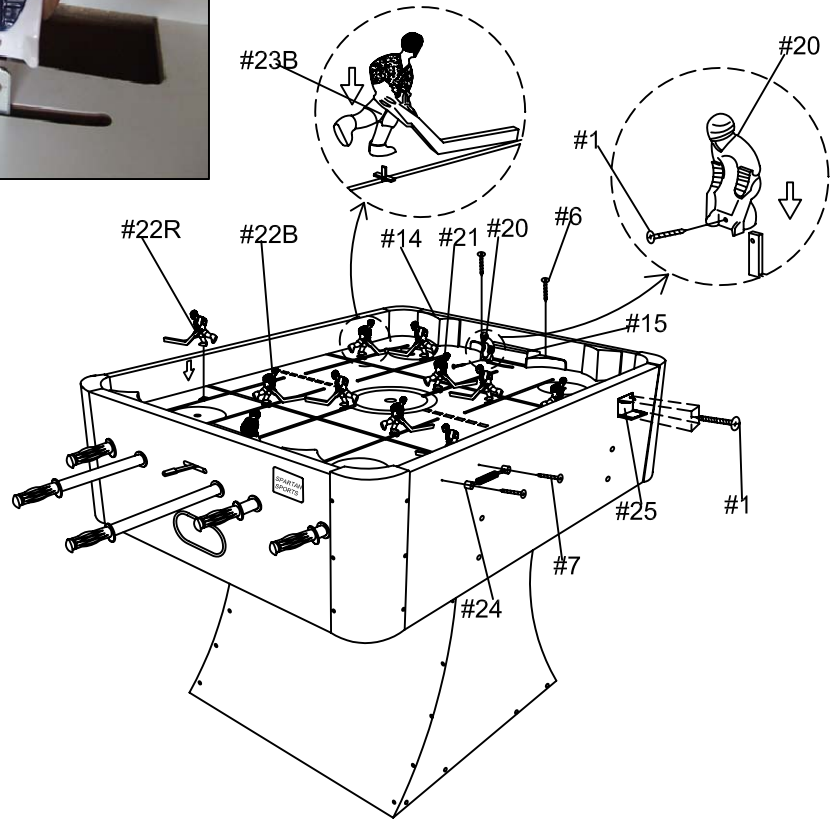
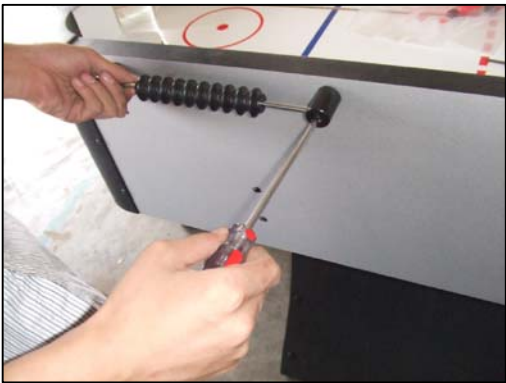
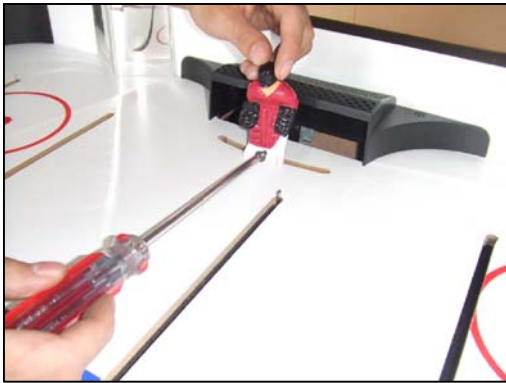
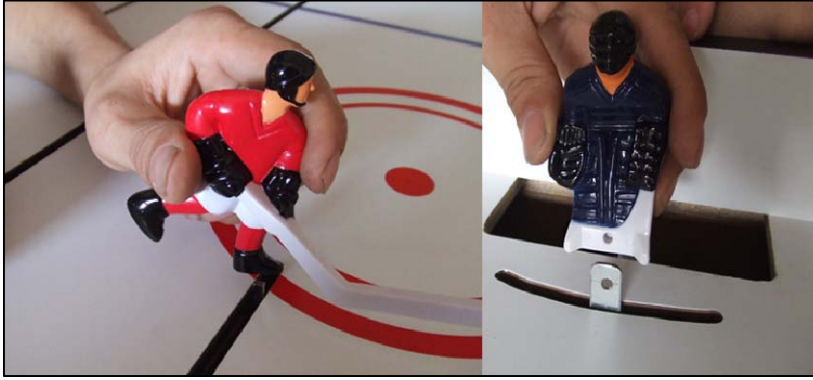
Step 9 Follow the pictures. Fix (K) the leg boards-5 to (F) the leg boards-1 by using (#8) the bolts and (#9) the washers.



Step 10 Turn over the base, and assemble the base together with (I) the leg boards-4 by using (#10) the bolts and (#11) the washer. Attach (#27) the leg levelers to the bottom of the base.



Step 11 Turn over the table. Put (#15) the goal frames in the middle of goal, and nail it up by using (#6) the screws. Follow the pictures. Assemble (#20) the goalkeepers to (#19) control bar by using (#1) the screws. Insert (#21) players -1、(#22) players -2、(#23) players -3 into the ditches of the table case, and connect with gears shaft. Place (#25) the drink holders on the long-side panels, and follow the indicated pre-drilled holes to assemble them by using (#1) the screws. Assemble (#24) the counters to each long-side panels by using (#7) the screws.



Arrangements for players as shown below

